

# Dell Precision™ Workstations Fan Locations

- [Dell Precision Workstation 650 Computer](#)
- [Dell Precision Workstation 450 Computer](#)
- [Dell Precision Workstation 530 Computer](#)
- [Dell Precision Workstation 620 Computer](#)

 **NOTE:** Part numbers listed with each fan are subject to change.

 **NOTE:** *Overtemp* indicates that the processor temperature has risen, and it does not necessarily indicate a fan failure.

 **NOTE:** *Thermtrip* indicates a catastrophic failure.

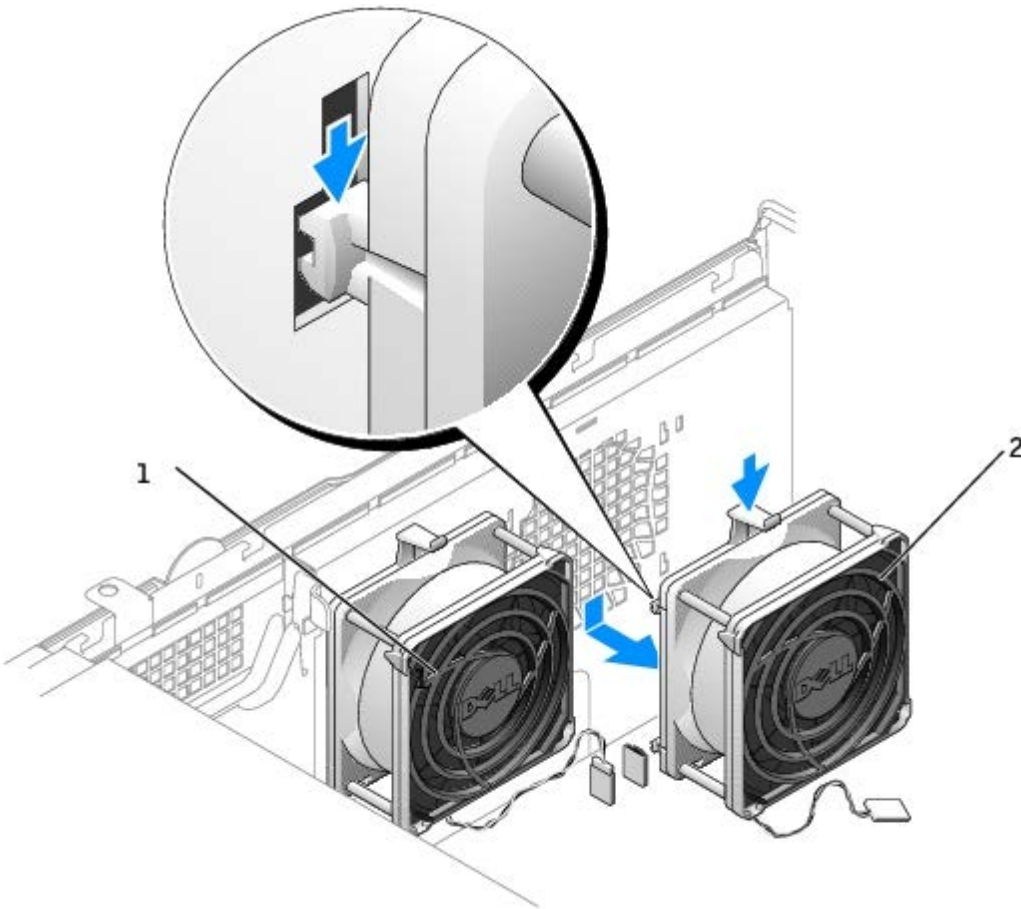
## Dell Precision Workstation 650 Computer

### Error Messages

Fan Failure		Boot Message (F1/F2)	Event Log Message
AGP card-cage fan	During boot	Alert! Card-cage fan failure	<Date> <Time> Out of Range Card-cage Fan
	Run time	On next boot: Alert! Previous fan failure	<Date> <Time> Out of Range Card-cage Fan
CPU 0 fan	During boot	Alert! CPU 0 Fan Failure	<Date> <Time> Out of Range CPU 0 Fan
	Run time	On next boot: Alert! Previous fan failures	<Date> <Time> Out of Range CPU 0 Fan
CPU 1 fan	During boot	Alert! CPU 1 fan failure	<Date> <Time> Out of Range CPU 1 Fan
	Run time	On next boot: Alert! Previous Fan Failure	<Date> <Time> Out of Range CPU 1 Fan
CPU 0 Overtemp	During boot	<b>NOTE:</b> The computer will shut down if this issue is not resolved within about 1 minute. On next boot: Alert! Previous processor thermal failure	<Data> <Time> Out of range CPU 0 Temperature
	Run time	<b>NOTE:</b> The computer will shut down if this issue is not resolved within about 1 minute. On next boot: Alert! Previous processor thermal failure	<Data> <Time> Out of range CPU 0 Temperature
CPU 1 Overtemp	During boot	<b>NOTE:</b> The computer will shut down if this issue is not resolved within about 1 minute. On next boot: Alert! Previous processor thermal failure	<Data> <Time> Out of range CPU 1 Temperature
	Run time	<b>NOTE:</b> The computer will shut down if this issue is not resolved within about 1 minute. On next boot: Alert! Previous processor thermal failure	<Data> <Time> Out of range CPU 1 Temperature
System Thermtrip	During boot	System immediately shuts down! On next boot: Alert! Previous shutdown due to thermal event	
	Run	System immediately shuts down!	

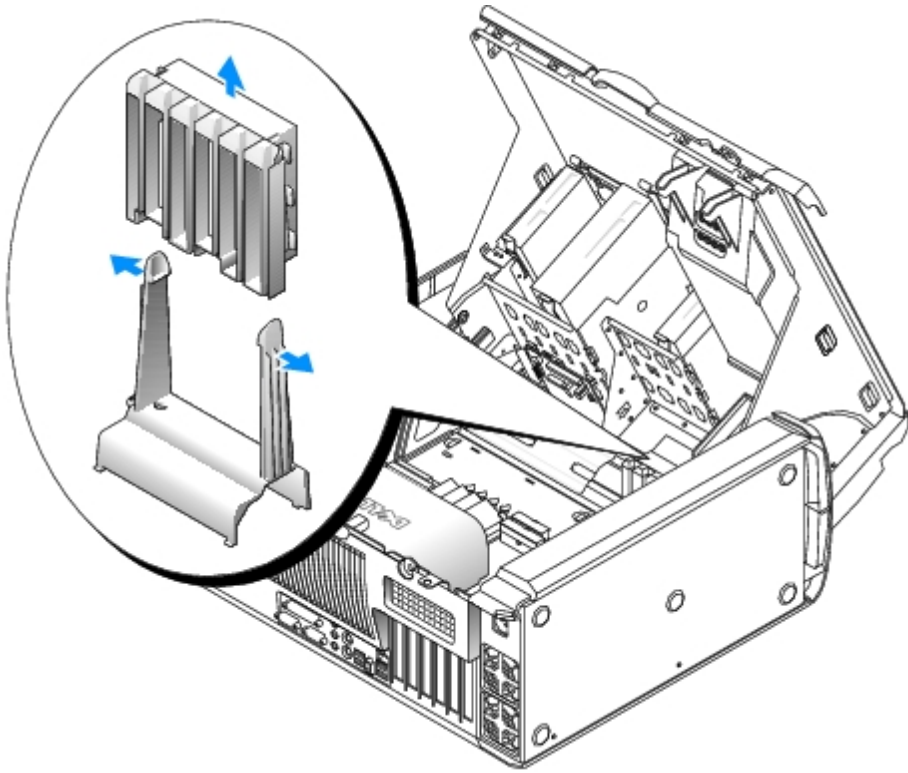
	time	On next boot: Alert! Previous shutdown due to thermal event	
Power supply fan 1	During boot	Alert! Power supply fan failure	<Date> <Time> Out of Range Power Supply Fan 1
	Run time	Alert! Previous fan failure	<Date> <Time> Out of Range Power Supply Fan 1
Power supply fan 2	During boot	Alert! Power supply fan failure	<Date> <Time> Out of Range Power Supply Fan 2
	Run time	Alert! Previous fan failure	<Date> <Time> Out of Range Power Supply Fan 2

**PN OU231 — CPU fan, independently replaceable, two per system**

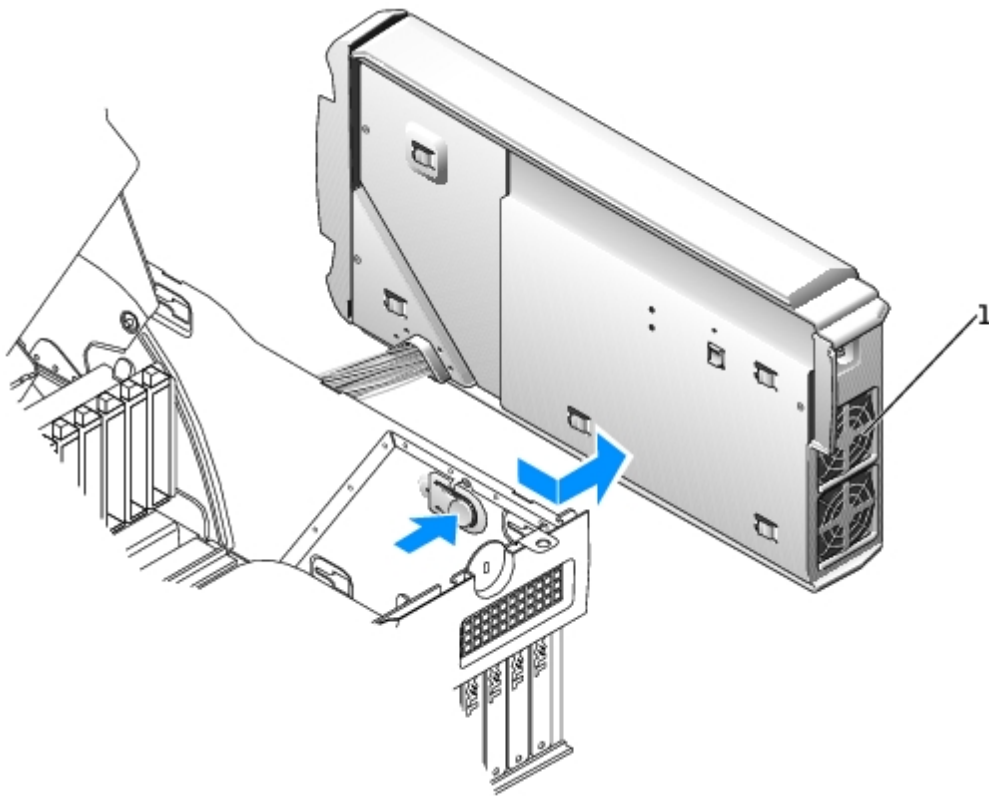


1	CPU 1 fan
2	CPU 0 fan

**PN 5M486 — AGP card cage fan**



**PN 1M475 — Power supply fan, 460W (dual fan power supply)**



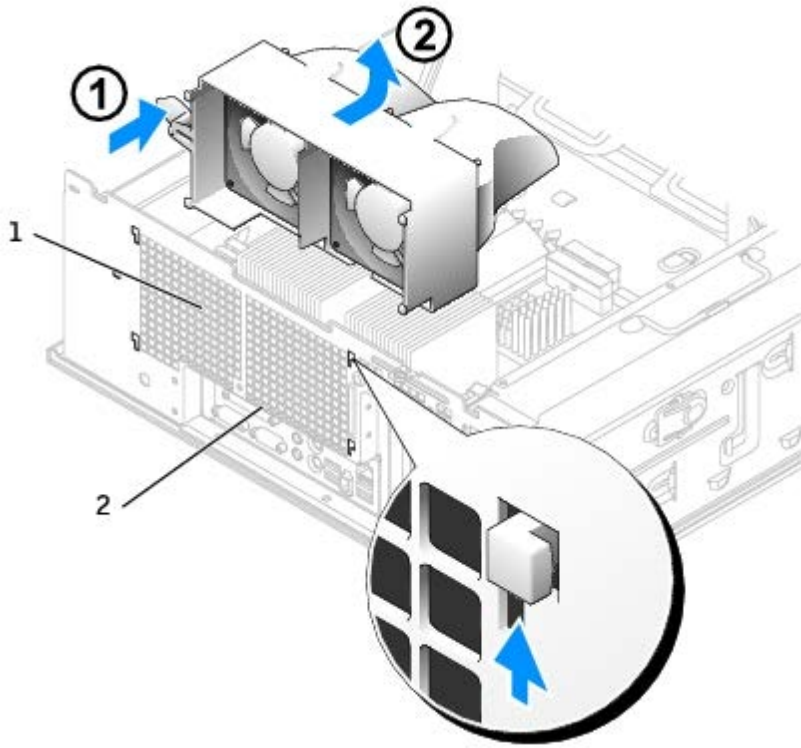
**1** power supply fans (2)

# Dell Precision Workstation 450 Computer

## Error Messages

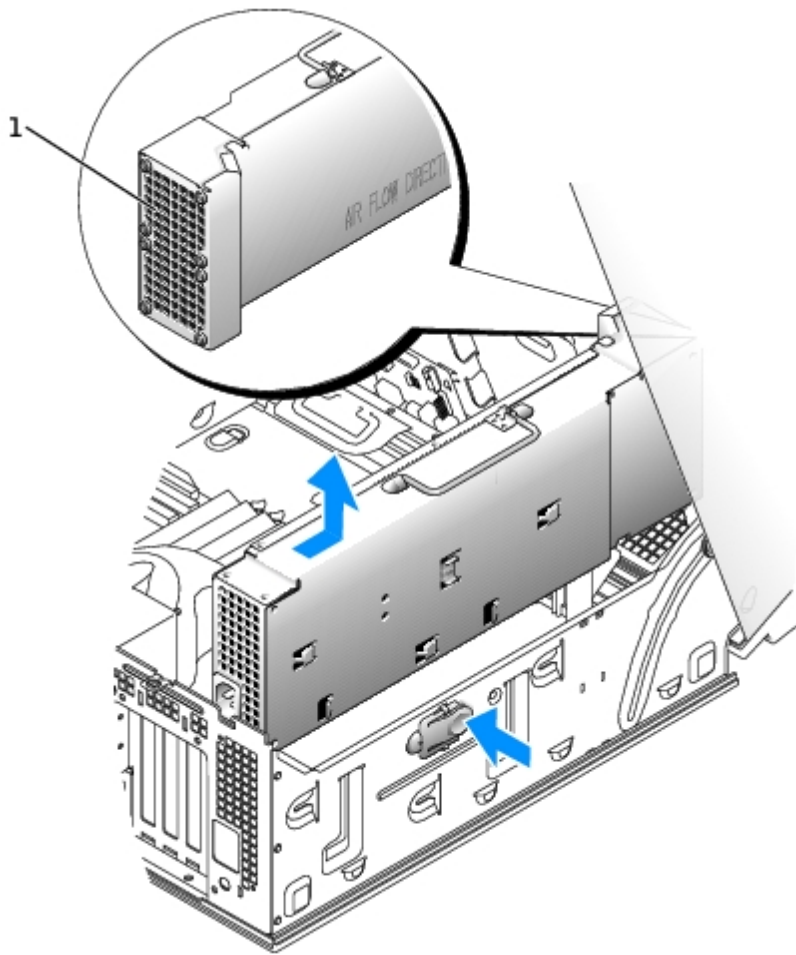
Fan Failure		Boot Message (F1/F2)	Event Log Message
CPU 0 fan	During boot	Alert! CPU 0 Fan Failure	<Date> <Time> Out of Range CPU 0 Fan
	Run time	On next boot: Alert! Previous fan failures	<Date> <Time> Out of Range CPU 0 Fan
CPU 1 fan	During boot	Alert! CPU 1 fan failure	<Date> <Time> Out of Range CPU 1 Fan
	Run time	On next boot: Alert! Previous Fan Failure	<Date> <Time> Out of Range CPU 1 Fan
CPU 0 Overtemp	During boot	<b>NOTE:</b> The computer will shut down if this issue is not resolved within about 1 minute. On next boot: Alert! Previous processor thermal failure	<Data><Time> Out of range CPU 0 Temperature
	Run time	<b>NOTE:</b> The computer will shut down if this issue is not resolved within about 1 minute. On next boot: Alert! Previous processor thermal failure	<Data><Time> Out of range CPU 0 Temperature
CPU 1 Overtemp	During boot	<b>NOTE:</b> The computer will shut down if this issue is not resolved within about 1 minute. On next boot: Alert! Previous processor thermal failure	<Data><Time> Out of range CPU 1 Temperature
	Run time	<b>NOTE:</b> The computer will shut down if this issue is not resolved within about 1 minute. On next boot: Alert! Previous processor thermal failure	<Data><Time> Out of range CPU 1 Temperature
System Thermtrip	During boot	System immediately shuts down! On next boot: Alert! Previous shutdown due to thermal event	
	Run time	System immediately shuts down! On next boot: Alert! Previous shutdown due to thermal event	
Power supply fan 1	During boot	Alert! Power supply fan failure	<Date> <Time> Out of Range Power Supply Fan 1
	Run time	Alert! Previous fan failure	<Date> <Time> Out of Range Power Supply Fan 1
Power supply fan 2	During boot	Alert! Power supply fan failure	<Date> <Time> Out of Range Power Supply Fan 2
	Run time	Alert! Previous fan failure	<Date> <Time> Out of Range Power Supply Fan 2

## PN 7P974 — Dual CPU fans/shroud assembly



1	CPU 0 fan
2	CPU 1 fan

**PN 2P222 — Power supply fan, 360W**



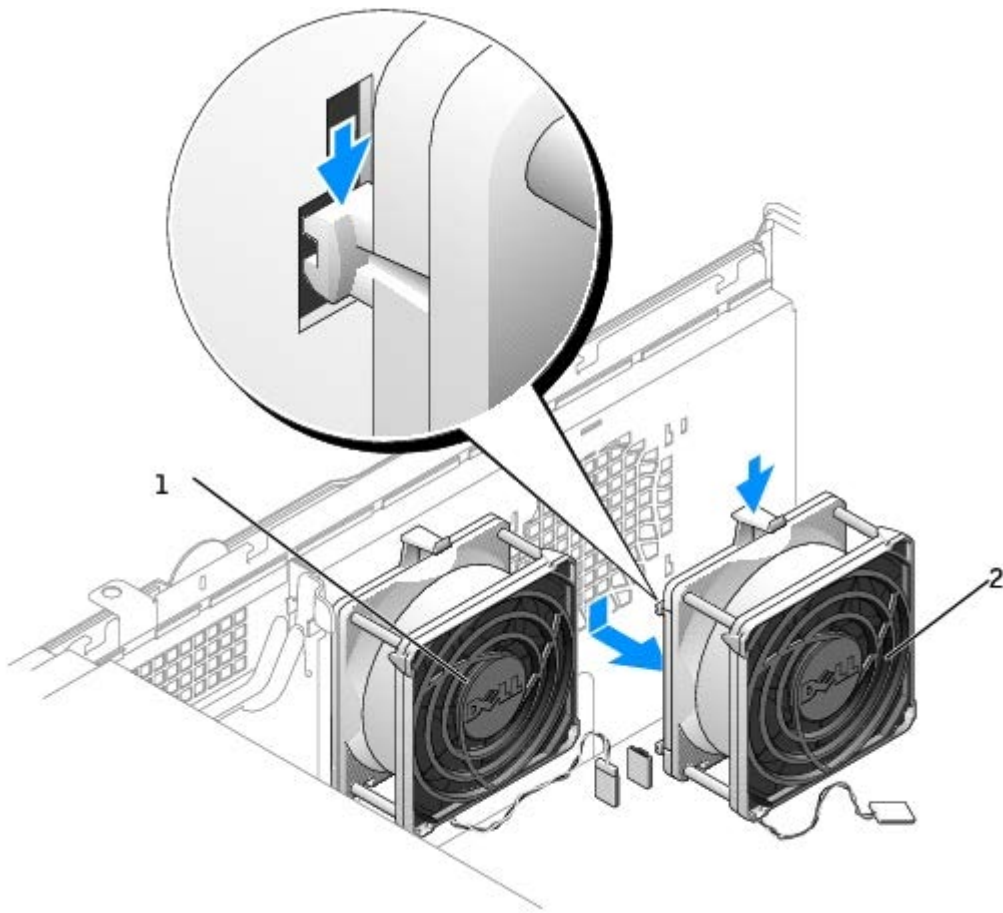
1 power supply fans (2)

## Dell Precision Workstation 530 Computer

Fan Failure		Boot Message (F1/F2)	Event Log Message
AGP card-cage fan	During boot	Alert! Card cage fan not detected	Out Of Range Card-cage Fan
	Run time	On next boot: Alert! Previous fan failure	Out Of Range Card-cage Fan
CPU 0 fan	During boot	Alert! CPU 0 fan not detected	Out Of Range CPU 0 Fan
	Run time	On next boot: Alert! Previous fan failure	Out Of Range CPU 0 Fan
CPU 1 fan	During boot	Alert! CPU 1 fan not detected	Out Of Range CPU 1 Fan
	Run time	On next boot: Alert! Previous fan failure	Out Of Range CPU 1 Fan
CPU 0 Overtemp	During boot	<b>NOTE:</b> The computer will shut down if this issue is not resolved within about 1 minute. On next boot: Alert! Shutdown due to thermal event	Out Of Range CPU 0 Temperature
	Run time	<b>NOTE:</b> The computer will shut down if this issue is not resolved within about 1 minute	Out Of Range CPU 0 Temperature

		On next boot: Alert! Previous temperature failure at Processor 1	
CPU 1 Overtemp	During boot	<b>NOTE:</b> The computer will shut down if this issue is not resolved within about 1 minute. On next boot: Alert! Previous shutdown due to thermal event	Out Of Range CPU 1 Temperature
	Run time	<b>NOTE:</b> The computer will shut down if this issue is not resolved within about 1 minute. On next boot: Alert! Previous temperature failure at Processor 2	Out Of Range CPU 1 Temperature
Power supply fan 1	During boot	Alert! Power supply fan failure	Out Of Range Power Supply Fan 1
	Run time	On next boot: Alert! Previous fan failure	Out Of Range Power Supply Fan 1
Power supply fan 2	During boot	Alert! Power supply fan failure	Out Of Range Power Supply Fan 2
	Run time	On next boot: Alert! Previous fan failure	Out Of Range Power Supply Fan 2
System Thermtrip	During boot	System immediately shuts down! On next boot: Alert! Previous shutdown due to thermal event	Out Of Range CPU 0 Temperature
	Run time	System immediately shuts down! On next boot: Alert! Previous shutdown due to thermal event.	Out Of Range CPU 0 Temperature
System Thermtrip	During boot	System immediately shuts down! On next boot: Previous shutdown due to thermal event	Out Of Range CPU 1 Temperature
	Run time	System immediately shuts down! On next boot: Alert! Previous shutdown due to thermal event	Out Of Range CPU 1 Temperature

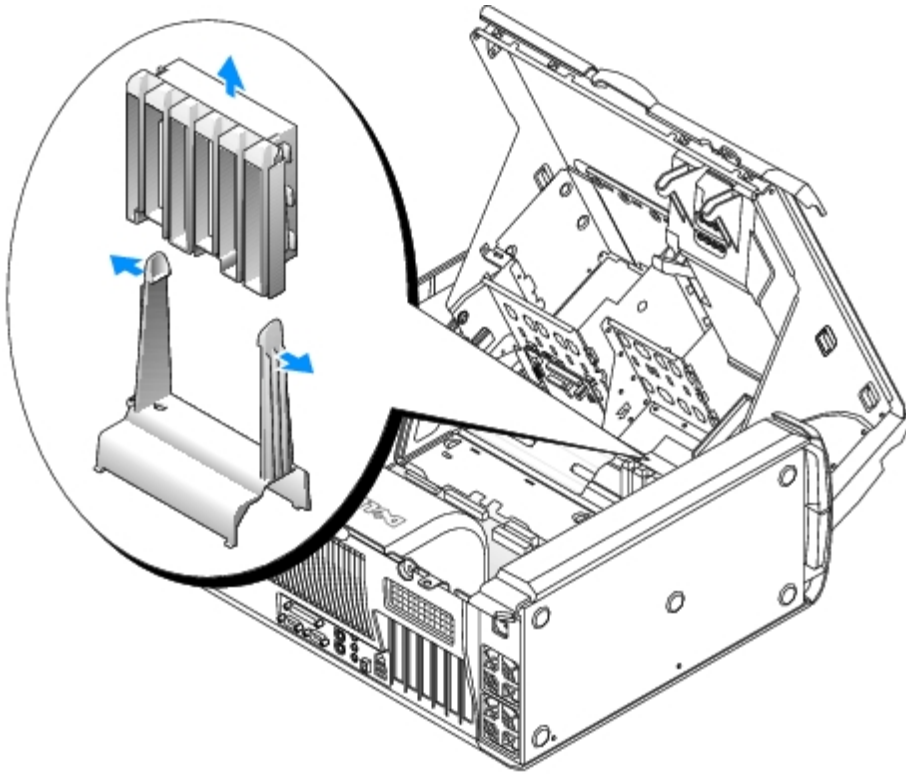
**PN 929FF — CPU fan, independently replaceable, two per system**



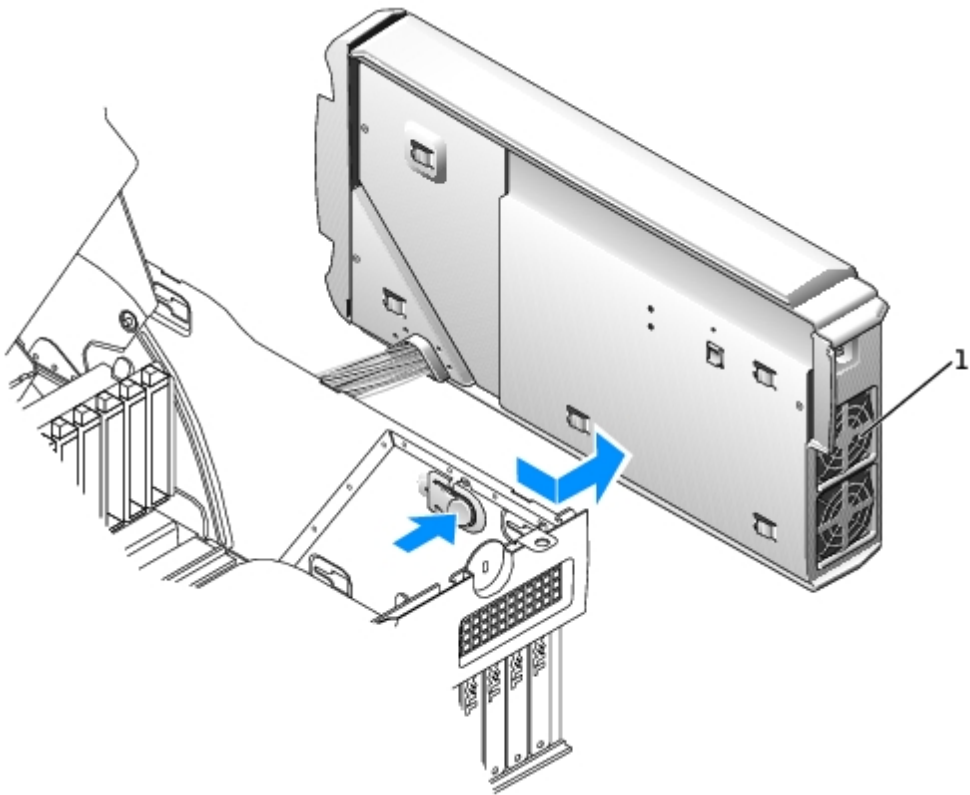
1	CPU 1 fan
2	CPU 0 fan

**PN OC252 — AGP card cage fan**






**PN 1M475 — Power supply fan, 460W**



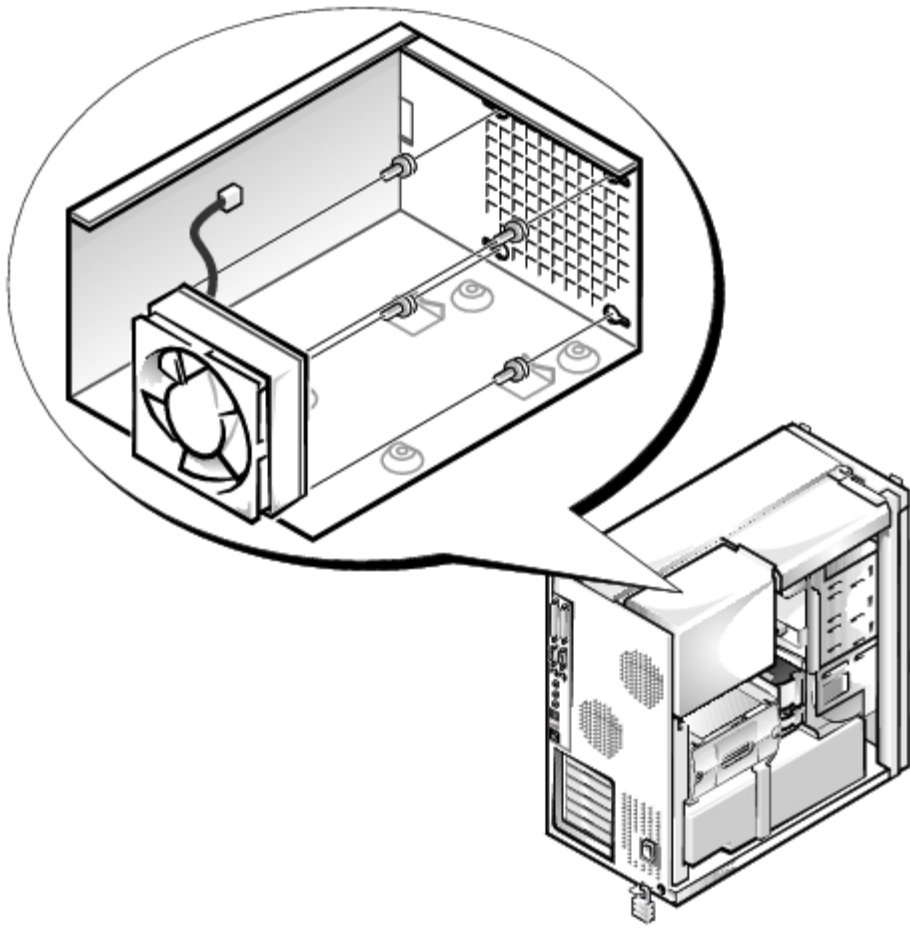
**1** power supply fans (2)

# Dell Precision Workstation 620 Computer

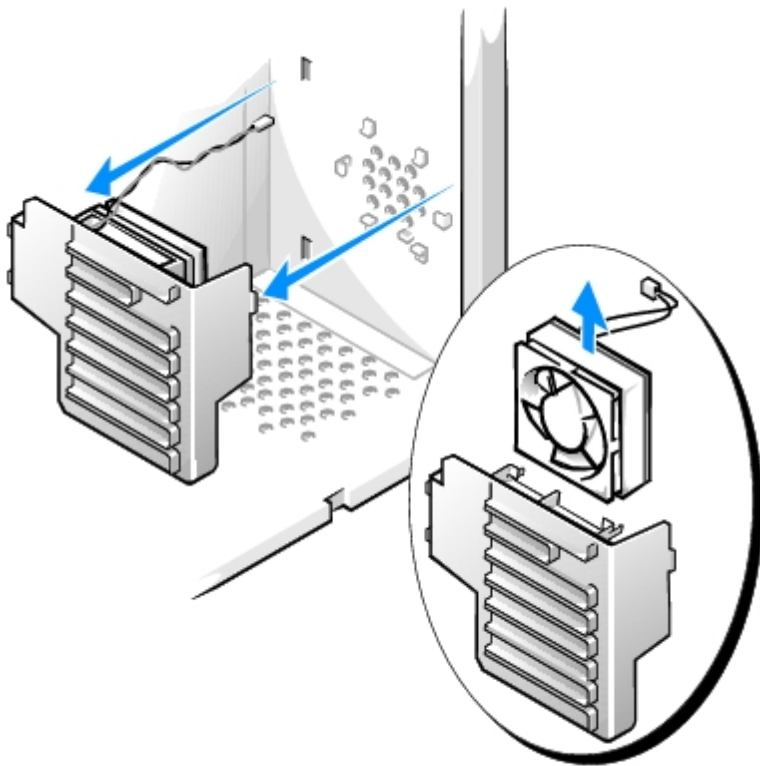
 **NOTE:** Precision Workstation 620 computers do not have an event log.

Fan Failure		Boot Message (F1/F2)
AGP card-cage fan	During boot	No message
	Run time	No message
CPU fan	During boot	Alert! CPU fan not detected
	Run time	On next boot: Alert! Previous system fan failure
CPU 0 Overtemp	During boot	<b>NOTE:</b> The computer will shut down if this issue is not resolved within about 1 minute. On next boot: Alert! Previous shutdown due to thermal event
	Run time	On next boot: Alert! Previous temperature failure at Processor 1
CPU 1 Overtemp	During boot	<b>NOTE:</b> The computer will shut down if this issue is not resolved within about 1 minute On next boot: Alert! Previous temperature failure at Processor 1
	Run time	On next boot: Alert! Previous shutdown due to thermal event
System Thermtrip	During boot	System immediately shuts down! On next boot: Alert! Previous shutdown due to thermal event
	Run time	System immediately shuts down! On next boot: Alert! Previous shutdown due to thermal event
Power supply fan 1	During boot	Alert! Power supply fan failure
	Run time	On next boot: Alert! previous power supply fan failure
Power supply fan 2	During boot	Alert! Power supply fan failure
	Run time	On next boot: Alert! Previous power supply fan failure
System fan (memory riser fan)	During boot	Alert! System fan not detected
	Run time	On next boot: Alert! Previous system fan failure

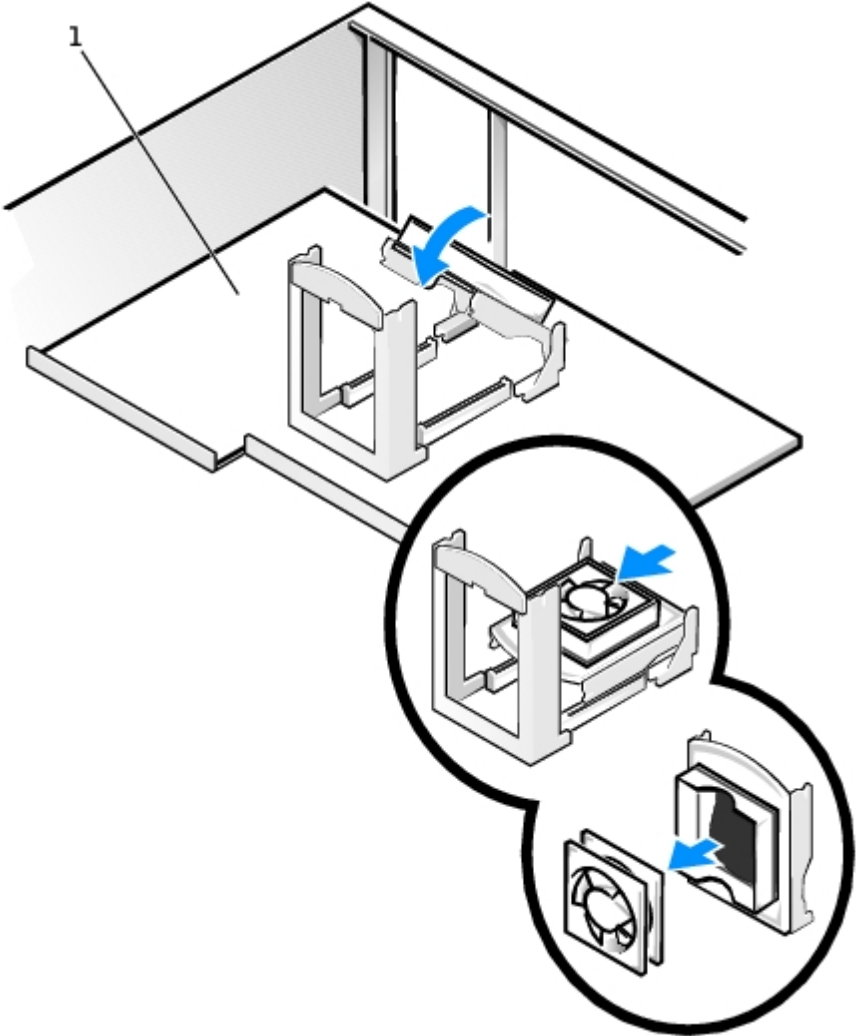
**PN D0744 — CPU/system fan (service kit to replace fan, not the bracket, which can be reused.)**



**PN 8329R — AGP fan**

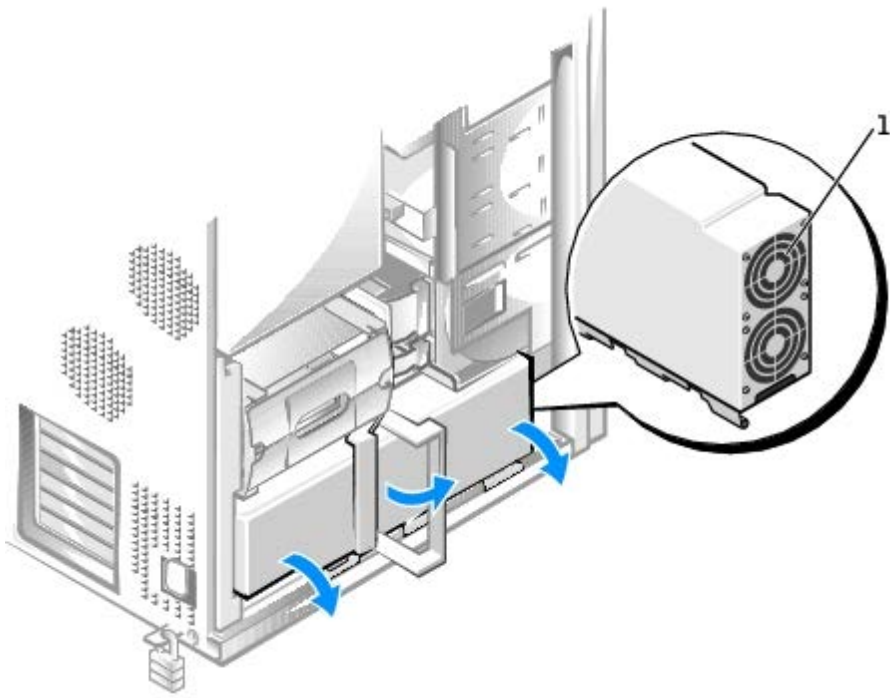


**PN 7069P — Memory riser fan**



1	memory riser fan
---	------------------

**PN 41UFC — Power supply fans**



1	power supply fans (2)
---	-----------------------

**Information in this document is subject to change without notice.  
© 2003 Dell Computer Corporation. All rights reserved. Printed in the U.S.A.**

Reproduction in any manner whatsoever without the written permission of Dell Computer Corporation is strictly forbidden.

Trademarks used in this text: *Dell*, *Dell Precision*, and the *DELL* logo are trademarks of Dell Computer Corporation. Other trademarks and trade names may be used in this document to refer to either the entities claiming the marks and names or their products. Dell Computer Corporation disclaims any proprietary interest in trademarks and trade names other than its own.